

USER MANUAL

**EliteDisplay**  
**65"/75"/86"**



More info

[edu.techsavers.com](https://edu.techsavers.com)

**MANUAL**

**Intro** **2**

**TECHNICAL SPECIFICATIONS** **3**

Display 3

System 3

Touch 3

Connectivity 3

Weight 3

Dimensions 4

**PACKAGE CONTENTS** **4**

**INSTALATION** **5**

Assembly and placement 3

Connecting to power and devices 3

**Usage** **5**

Basic Operation 5

Android system 5

Connecting and controlling peripherals 5

Using the pen and touch 5

**Camera and microphone functions** **6**

**Troubleshooting** **6**

**Warranty and Service** **7**

**Contacts and Support** **7**



## INTRO

The EliteDisplay product is an interactive touch display with UHD 4K resolution and 40-point IR touch. It runs on the Android 14 system with 8 GB of RAM and 64 GB of storage. This manual will help you with the correct installation, use, and maintenance of the device.





# TECHNICAL SPECIFICATIONS

## Display

Size	65"/75"/ 86"
Type	DLED
Colors	10-bit / 1.07 miliardy farieb
Refresh rate	60 Hz
Resolution	3840×2160 (4K UHD) 16:9
Brightness	≥400 cd/m <sup>2</sup>
Contrast	4000:1
Screen protection	4 mm tvrdené sklo, odolné proti výbuchu
Viewing angles	178° horizontálne aj vertikálne

## System

Processor	Cortex A55, 1,2 GHz
OS	Android 14
RAM	8 GB
ROM	64 GB
Operating temperature	0 °C - 40 °C

## Touch technology

Technology	IR touch panel
Touch points	20 Andorid / 45 Windows
Reaction speed	<4 ms
Touch accuracy / surface hardness	1 mm / 8H
Stylus and finger support	Áno

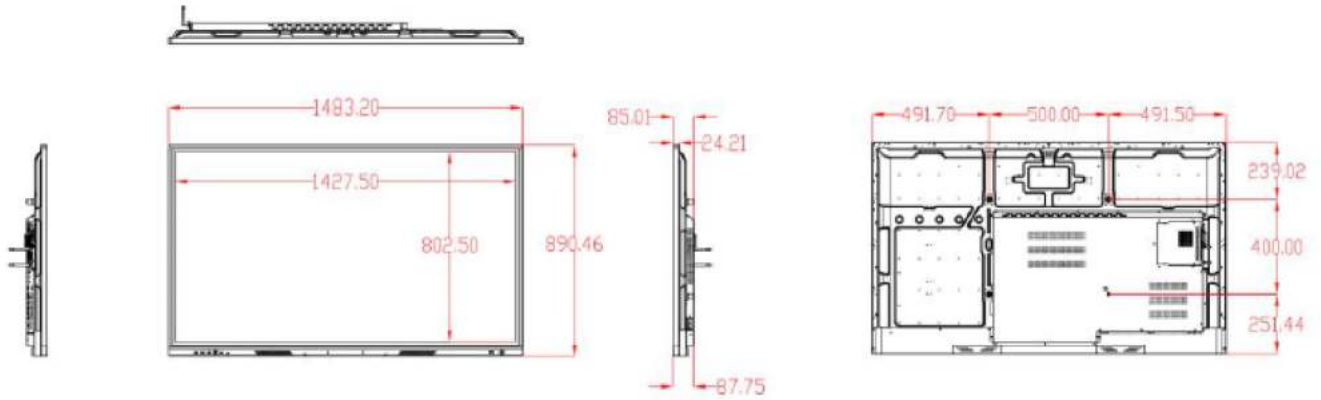
## Connectivity

RJ45 IN/OUT	
LAN	Wifi 6, 100 Mbps
USB-C (Full-Link)	1 pcs
USB	USB 3.0, USB 2.0, USB-A 3.0 (x3), USB-C (1)
HDMI IN	2 rear+ 1 front
HDMI OUT	1 pcs

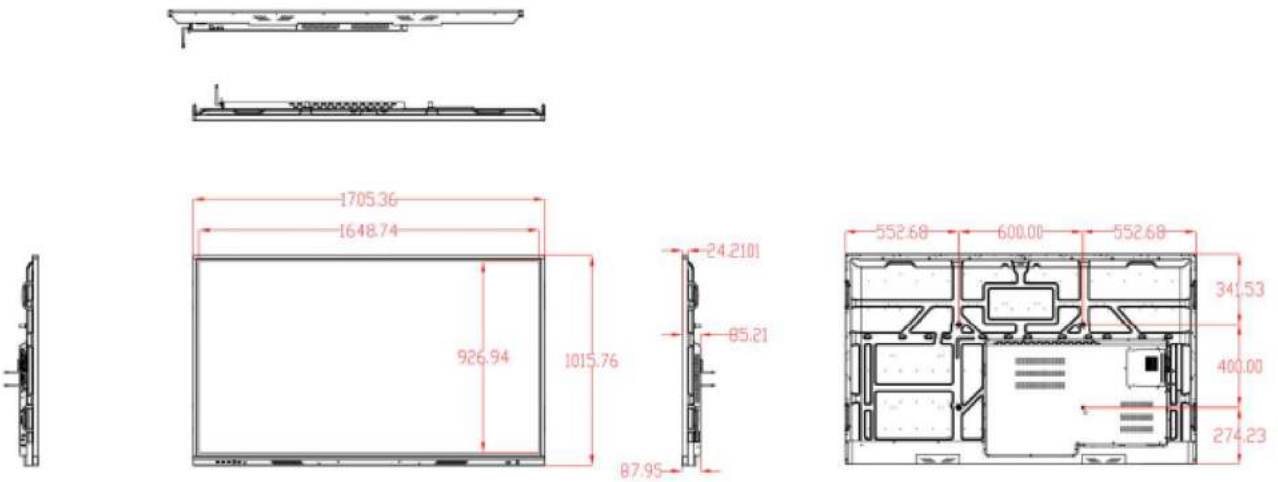
## Dimensions and weight

Weight Netto: (65") 37,7 kg; (75") 51,5 kg; (86") 67,2 kg
Weight Brutto: (65") 46,5 kg; (75") 64,6 kg; (86") 85,2 kg
Dimensions: 65" (1485 x 88 x 905) / 75" (1708 x 88 x 1027) / 86" (1954 x 89 x 1165)

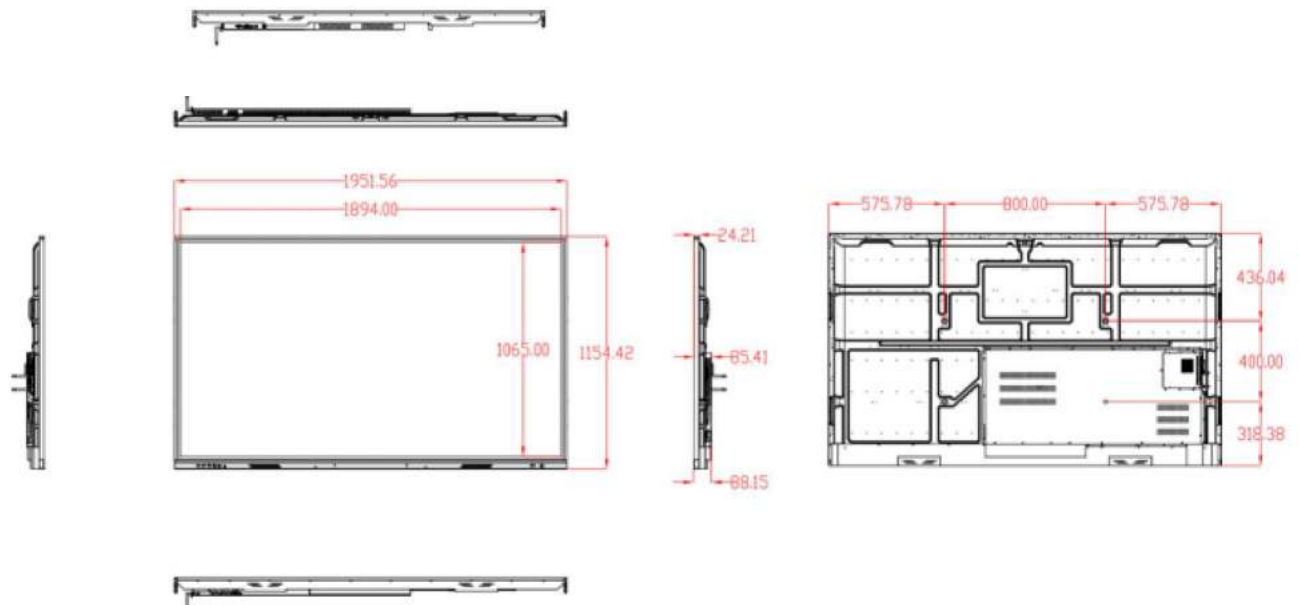
65"



75"



86"



Package contents: EliteDisplay 75" Touch display, Power cable (1 pc), Remote control (1 pc), Wall mount (VESA 600x400) for 65" and 75" / (VESA 800x400) for 86" (1 pc), HDMI and USB touch cable (1 pc), Whiteboard pens (2 pcs)



# INSTALLATION

## ASSEMBLY AND PLACEMENT

- Ensure that the wall or stand supports the weight of the device (approx. 51.5 kg net).
- Use a VESA mount 600×400 mm for mounting a 65" or 75" display; use a VESA mount 800×400 mm in the case of an 86" display.
- During the assembly of the device, ensure adequate space for proper ventilation.

## CONNECTION TO POWER AND DEVICES

- Connect the power cable to the power source.
- Connect external devices via HDMI, USB, RJ45, or other sources as needed.
- Turn on the display using the remote control or the button on the device.

# USAGE

## BASIC CONTROL

- Use the touchscreen to control the Android 14 interface or other applications.
- 40-point multi-touch control is supported.

## ANDROID SYSTEM

- Upon first startup, follow the on-screen instructions to set the language, WiFi network, Google account, and other preferences.
- Android 14 is pre-installed on the display, allowing the installation of applications from Android-compatible sources.

## CONNECTION AND CONTROL OF PERIPHERALS

- Switch between signal sources via HDMI, USB, AV inputs, etc., using the remote control.
- Use the ShareScreen function to share the screen from a mobile phone, tablet, or PC.

## USE OF PEN AND TOUCH

- Používajte prsty alebo kapacitné pero na písanie, kreslenie a ovládanie.
- Perá sú zahrnuté v balení a sú určené na vysokú presnosť dotyku.



## CAMERA AND MICROPHONE FUNCTIONS

- Integrated camera with 48 MP resolution and 120° viewing angle.
- 8 built-in microphones with a range of up to 10 meters.
- Support for technologies such as noise cancellation, echo cancellation, and full duplex communication.

## MAINTENANCE AND SAFETY

- Clean the display only with a soft, dry or slightly dampened cloth. Do not use abrasive or chemical cleaning agents.
- Keep the device away from direct sunlight and extreme temperatures.
- Do not block the device's ventilation openings.
- Do not use the device in environments with excessive dust and humidity.

## TROUBLESHOOTING

Problem	Probable cause	How to resolve
Display touch	Dirt on the display	Clean the display
Device wont turn on	Lack of power or failure	Check the power cable and connection to electricity
No image	Incorrect signal source	Check and switch HDMI, USB inputs
No sound	The sound or system is muted	Adjust the volume, check the audio connection



## WARRANTY AND SERVICE

- The device is covered by a warranty according to the business terms and conditions of MB Tech BB s.r.o.
- In case of need for service or a warranty claim, contact an authorized service center or the seller.

## KONTAKTY

**MB Tech BB s.r.o.**

reklamacie@mbtech.sk  
www.mbtech.sk

